

91MCE2 NOMENCLATURE TREE

91MCE 2- S 1 B Q

Connector
Q 4-Pin M12 Connector

Modifications
B Bottom Exit
P Plastic Lever/Plastic Roller

Cable Length: (Side Exit)

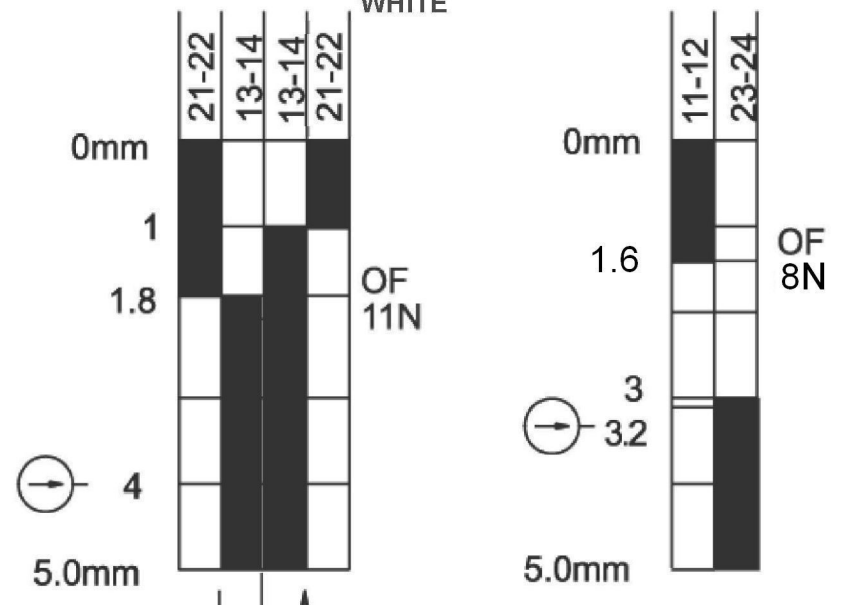
1	1 Meter cable length
2	2 Meter cable length
3	3 Meter cable length
5	5 Meter cable length

Switch Type
P 1NO/1NC Direct Acting, Snap Action
S 1NC/1NO Direct Acting, Break-before-Make

Actuators
2 Roller Plunger

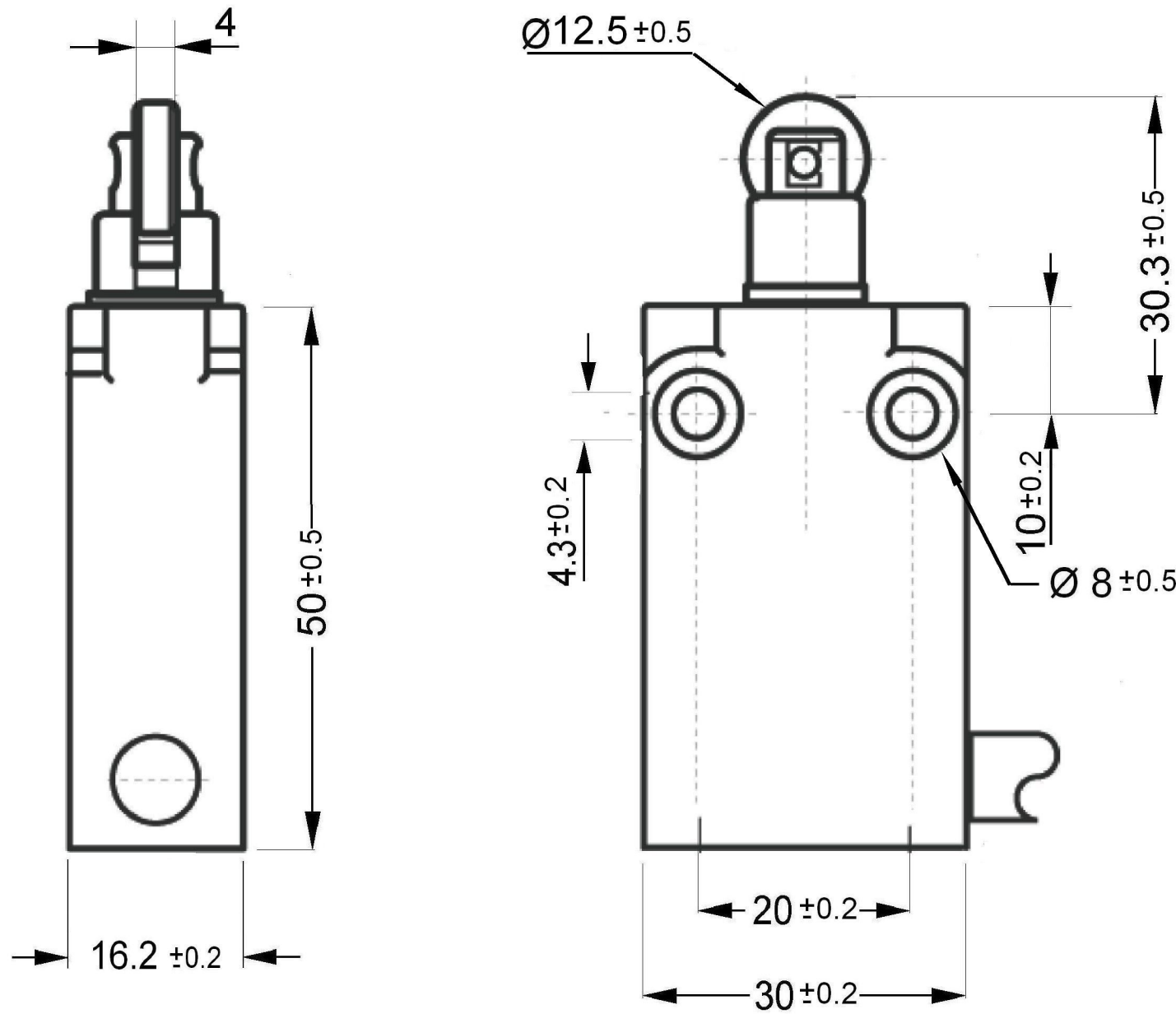
91MCE Series - Base
Miniature Compact Enclosed Switches

OPERATING CHARACTERISTICS



YELLOW/GREEN = GROUND

"Q" OPTION
PIN 1 & 2 - NORMALLY CLOSED
PIN 3 & 4 - NORMALLY OPEN



- NOTES:**
1. DIE CAST HOUSING FINISHED IN BLACK PAINT.

SPECIFICATIONS

Operating Speed	0.05mm-1m/sec
Operating Frequency	Mechanical: 120ops/min Electrical: 30 ops/min
Insulation Resistance	>100MΩ@500V DC
Contact Resistance	<25mΩ
Rated Voltage	300V AC (EN60947-5-1)
Rated Thermal Current	Pre-leaded 10A- 3A Connector
Electrical Rating	AC15 A300 DC13 Q300
Dielectric Strength	1000VAC for 1 min between current carrying parts 2500VAC for 1 min between non-current carrying parts
Service Life	Mechanically 5 x10 ⁷ (operations)
Operating Temperature	-25~+85°C without formation of ice
Humidity	< 95%RH
Cable	5 core, 0.75mm ² (18AWG)
Degree of Protection	IP67

ELECTRICAL RATINGS

IEC 60947-5-1 / EN 90947-5-1			
Designation & Utilization Category	Rated operational current Ie (A) at rated operational voltage Ue		VA rating
	120V	240V	Make Break
AC15 A300	6	3	7200 720
DC13 Q300	0.55	0.27	69 69

UNLESS OTHERWISE SPECIFIED
TOLERANCES ARE
+/- 0.15

APPROVALS

DESIGN UNITS: mm
TOLERANCES UNLESS NOTED:
NO PLACE .X ± 0.040
ONE PLACE .XX ± 0.030
TWO PLACE .XX ± 0.015
THREE PLACE .XXX ± 0.005
FOUR PLACE .XXXX ± 0.0005
ANGLES ± 2

THIRD ANGLE PROJECTION

DRAWN	BS	02APR07
CHECK	PSR	02APR07

THIS DRAWING COVERS A PROPRIETARY ITEM AND IS THE PROPERTY OF HONEYWELL. THIS DRAWING IS NOT TO BE COPIED OR USED WITHOUT THE PERMISSION OF HONEYWELL.

INTERPRET PER ASME Y14.5M-1994 OTHER HONEYWELL ENGINEERING STANDARDS MAY APPLY

Honeywell

TITLE: COMPACT PRECISION LIMIT SWITCH

SIZE	TYPE	DRAWING NAME	REV
C	I	91MCE2 SERIES CHART1	B

SCALE: - SHEET 1 OF 1